

# Precision Frameworks

## Framed Mirror Solutions

## Classic Frame/ Value Series

*Framed mirrors that hang directly on a wall using our security hanging hardware.*



### **Precision Frameworks**

Classic and Value frames are designed with a rabbet that lets the mirror sit inside the frame. Once the mirror is glazed into the back of the frame, the frame is hung on the wall with our hanging hardware.



office: 877.739.1169

fax: 770.979.0283

email: [sales@pfwks.com](mailto:sales@pfwks.com)

[www.PrecisionFrameworks.com](http://www.PrecisionFrameworks.com)

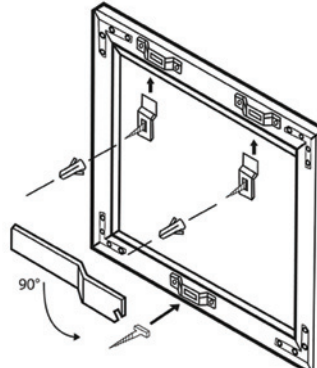
# Classic Frame/ Value Series hanging systems

Whenever Possible Install Into Studs!

## Standard Hanging Systems:

Supplied with every Classic Frame and Value Series frame.

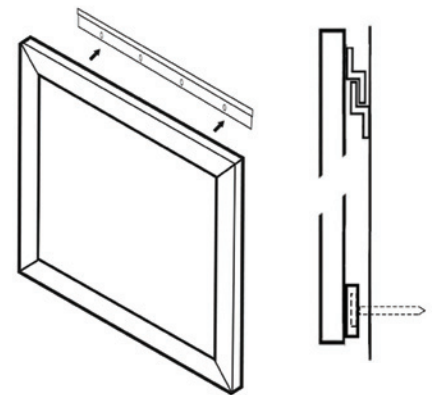
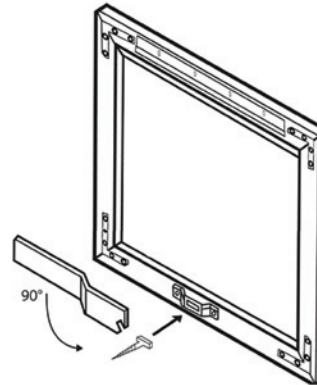
*Recommended width: up to 50"*



## Hang Bar System Option:

Hang bar purchased separately.

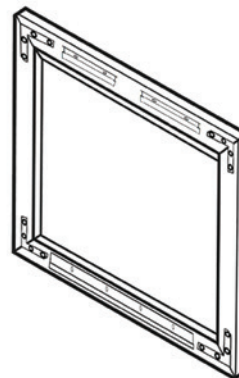
*Recommended width: 50" and over*



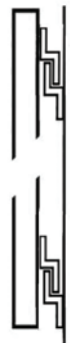
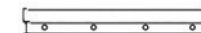
## Heavy Framed Mirror Option:

Hang bars purchased separately.

*Recommended width: 70" and over*



Wall Configuration



For more information, please contact your local Precision Frameworks Sales Rep, or contact us at:

office: 877.739.1169

fax: 770.979.0283

email: [sales@pfwks.com](mailto:sales@pfwks.com)

[www.PrecisionFrameworks.com](http://www.PrecisionFrameworks.com)